

# Technical Bulletin

Bulletin Number: 266 Revision Number: R-02

Release Date: March 12, 1984 Revision Date: January 26, 1998

**SUBJECT:** PEPSI MAGNUM SIGN FACE REPLACEMENT

**MODELS:** All Pepsi magnum Venders Only.

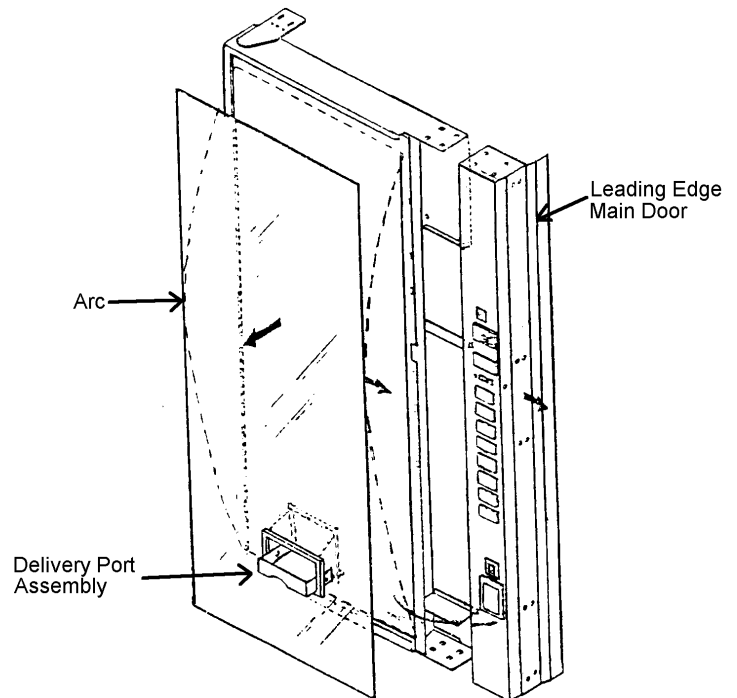
**REASON:** To provide steps in removing and replacing a DNCB Pepsi Magnum Sign Face.

**TO REMOVE:**

1. Unplug the vender from the outlet.
2. Remove the various screws, bolts, and nuts which secure the leading edge of the main door.  
**CAUTION: DOOR WILL BECOME VERY FLIMSY AS FASTENERS ARE REMOVED.**
3. Remove the screws and bolts which secure the delivery port to the main door. (See "A" figure 2, page 2.)
4. DO NOT remove the delivery port assembly from the Lexan sign at this time. Leave it in place.
5. See Figure 1. Arc or bow the Lexan sign face as shown. Lift it out of the tracks in the door weld assembly.
6. Remove the delivery port assembly from the Polycarbonate sign.

**TO INSTALL NEW SIGN:**

1. Use reverse procedure to reinstall all parts.  
**Note:** When reinstalling the screws, bolts, and nuts in the door - leave them loose, make sure main door is square, then tighten screws and nuts.
2. **IMPORTANT:** Seal the top and side edges of the metal port trim to the sign with clear sealant.



**FIGURE 1**

